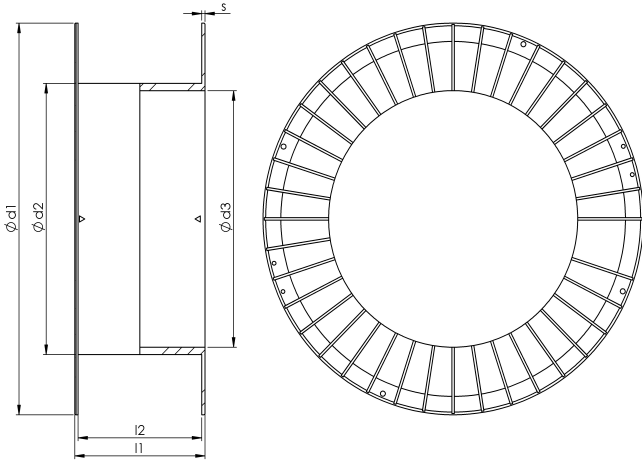
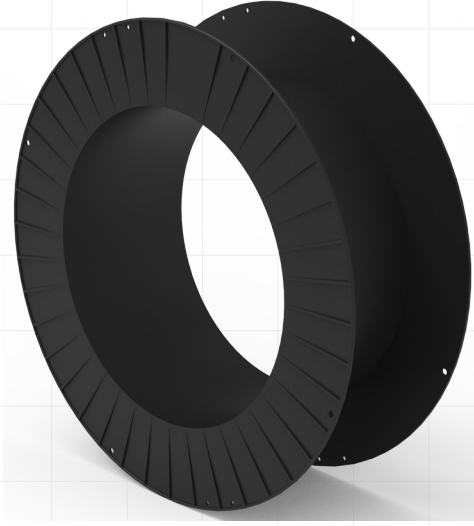




SD 400-100 / SD 400-137 SUBMERSIBLE WINDING WIRE PLASTIC DELIVERY SPOOLS



Raw Materials:

HIPS	High Impact Polystyrene
ABS	Acrylonitrile Butadiene Styrene
Different material is possible on request.	

Colors:

All proper colors are available to these raw materials including original raw material color also.

Dimensions (mm):

Type	SD 400-100	SD 400-137
d1	400	400
d2	277	277
d3	262	262
l1	91	137
l2	84	130
Winding Volume (cm ³)	5.400	8.500

Packing Details:

Type	SD400-100	SD 400-137
Quantity (pcs./pallet)	207	135
Pallet Dimensions (cm):		
Length	114	114
Width	114	114
Height	225	220
Gross Weight (kg)	135	110
Please enquire about packing details for other possibilities.		

Address: Hadımköy Hastane Mah. Org. Eşref Bitlis
Cad. TR-34555 No:52 Arnavutköy İstanbul/Turkey

Tel: +90 212 771 1345
Fax: +90 212 771 4961
E-mail: sales@dayiplastik.com
Web: www.dayiplastik.com

